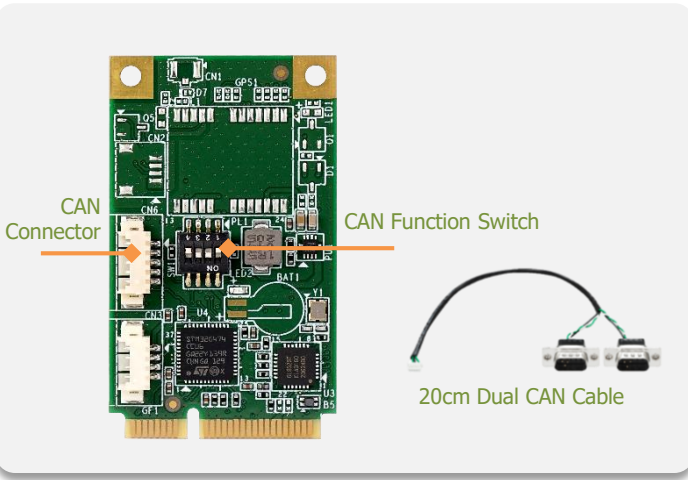


# FARO-FD700

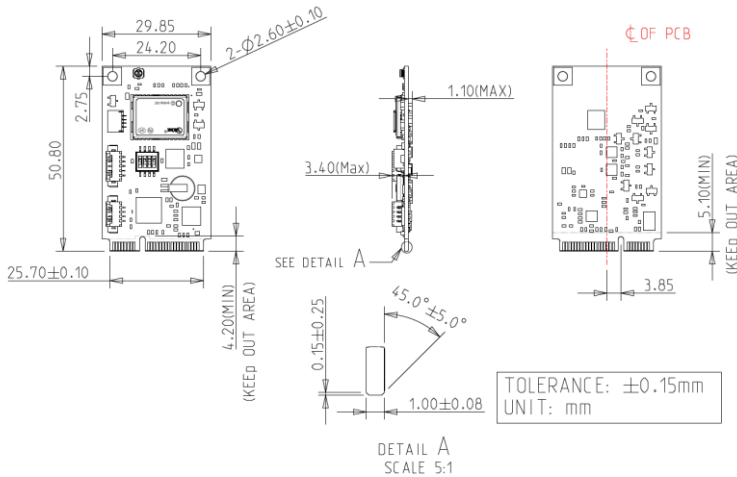
## USB to Dual CAN FD Module

### Features

- Full-sized PCI Express Mini Card
- Meet the Requirements of the ISO 11898-1: 2015
- CAN FD baud rate support 2M, 4M
- CAN bus 2.0B backward compatible with 2.0A
- Support baud rate 125/250/500/800/1000K bps
- Built-in Programmable CAN Identifier Filtering
- Support Linux SocketCAN
- Termination resistor enabled/disabled by switch
- Industrial Temperature (-40°C to +85°C) support
- Industrial design, manufactured in Innodisk Taiwan



### Mechanical Drawing



| CAN Connector Pin Define |        |
|--------------------------|--------|
| 1                        | CAN0-L |
| 2                        | CAN0-H |
| 3                        | GND    |
| 4                        | CAN1-L |
| 5                        | CAN1-H |

| CAN DB9 Connector Pin Define |        |
|------------------------------|--------|
| 1                            | NC     |
| 2                            | CAN0-L |
| 3                            | GND    |
| 4                            | CAN1-L |
| 5                            | CAN1-H |
| 6                            | NC     |
| 7                            | CAN0-H |
| 8                            | NC     |
| 9                            | NC     |

### Specifications

#### Headquarters (Taiwan)

5F., No.237, Sec. 1, Datong Rd.,  
Xizhi Dist., New Taipei City 221,  
Taiwan

Tel: +886-2-7729-9223

Email: sales@antzer-tech.com

[www.antzer-tech.com](http://www.antzer-tech.com)

© 2023 Antzer Tech.

All right reserved. Specifications  
are subject to change without  
prior notice.

June 2, 2023

|                   |   |
|-------------------|---|
| Form-Factor       | Full-sized mPCIe  |
| Input I/F         | USB 2.0(FS)   |
| Output I/F        | CAN FD / CANbus 2.0B x 2  |
| Output Connector  | DB-9 x 2  |
| Power Consumption | MAX: 0.55W (3.3V, 167mA)  |
| Dimension (WxLxH) | 30 x 50.9 x 5.58 mm   |
| Temperature       | WT: -40°C ~ +85°C   |
| Environment       | Vibration: 5G @7~2000Hz, Shock: 50G @ 0.5ms   |
| Notes             | Windows: 10(64bit)<br>Linux: Kernel 4.4 and above (Native CDC-ACM driver), Ubuntu 16.04/22.04 LTS, SocketCAN, 64bit |

### Order information

#### FARO-FD700

USB to dual CAN FD Module