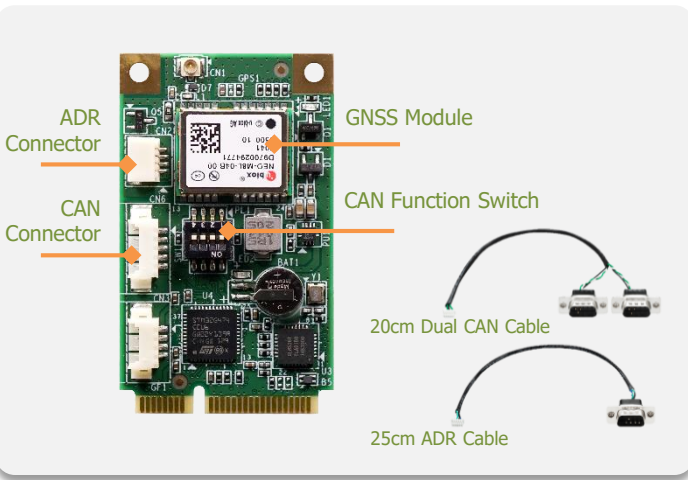


GADN-FD7L0

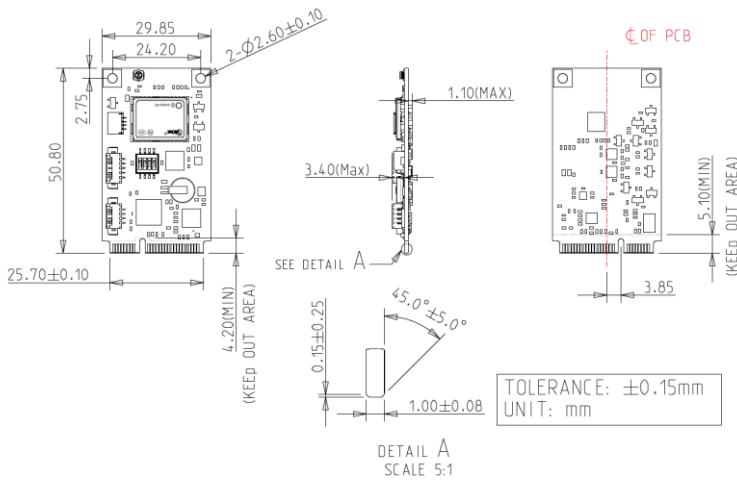
USB to dual CAN FD and GNSS Module

Features

- Full-sized PCI Express mini card
- Meet the Requirements of the ISO 11898-1: 2015
- CAN FD baud rate support 2M, 4M
- CAN bus 2.0B backward compatible with 2.0A
- Support baud rate 125/250/500/800/1000K bps
- Built-in u-blox M8 GNSS module
- Concurrent reception of up to 3 GNSS (GPS, Galileo, GLONASS, BeiDou)
- Support Dead Reckoning Features: UDR or ADR
- Built-in Programmable CAN Identifier Filtering
- Support Linux SocketCAN
- Termination resistor enabled/disabled by switch
- Industrial design, manufactured in Innodisk Taiwan



Mechanical Drawing



CAN Connector Pin Define	
1	CAN0-L
2	CAN0-H
3	GND
4	CAN1-L
5	CAN1-H

ADR Connector Pin Define	
1	NC
2	Reverse
3	Wheel-tick
4	GND

CAN DB9 Connector Pin Define	
1	NC
2	CAN0-L
3	GND
4	CAN1-L
5	CAN1-H
6	NC
7	CAN0-H
8	NC
9	NC

Specifications

Headquarters (Taiwan)
5F., No.237, Sec. 1, Datong Rd., Xizhi Dist., New Taipei City 221, Taiwan

Tel: +886-2-7729-9223
Email: sales@antzer-tech.com

www.antzer-tech.com

© 2023 Antzer Tech.
All right reserved. Specifications are subject to change without prior notice.

June 2, 2023

Form-Factor	Full-sized mPCIe
Input I/F	USB 2.0(FS)
Output I/F	CAN FD / CANbus 2.0B x 2
GNSS Receive Type	72-channel u-blox M8 engine
Deck Reckoning	UDR/ADR
Power Consumption	MAX: 0.59W (3.3V, 180mA)
Dimension (WxLxH)	30 x 50.9 x 5.58 mm
Temperature	-40°C ~ +85°C (Without Battery) -20°C ~ +60°C (With Battery)
Environment	Vibration: 5G @7~2000Hz, Shock: 50G @ 0.5ms
Notes	Windows: 10(64bit) Linux: Kernel 4.4 and above (Native CDC-ACM driver), Ubuntu 16.04/22.04 LTS, SocketCAN, 64bit

Order information

GADN-FD7L0
USB to dual CAN FD and GNSS Module