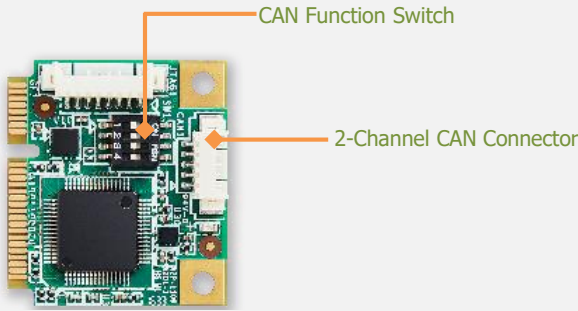
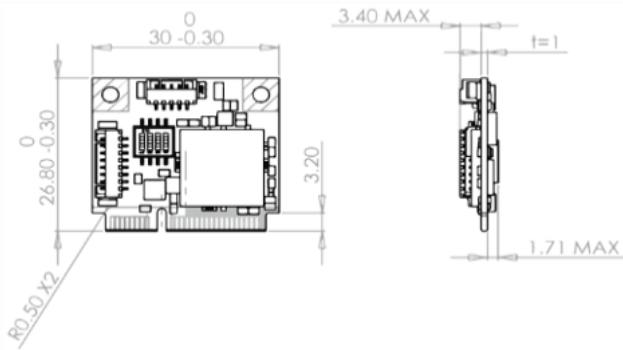


### Features

- Half-sized PCI Express Mini Card
- Meet the Requirements of the ISO 11898-1: 2015
- CAN bus 2.0B backward compatible with 2.0A
- Support baud rate 125/250/500/800/1000K bps
- Up to 3000 CAN messages per second (receive data)
- Built-in Programmable CAN Identifier Filtering
- Support Linux SocketCAN
- Termination resistor enabled/disabled by switch
- Industrial Temperature (-40°C to +85°C) support
- Industrial design, manufactured in Innodisk Taiwan



### Mechanical Drawing



CAN Connector Pin Define	
1	CAN1-L
2	CAN1-H
3	GND
4	CAN2-L
5	CAN2-H

CAN DB9 Connector Pin Define	
1	NC
2	CAN1-L
3	GND
4	CAN2-L
5	CAN2-H
6	NC
7	CAN1-H
8	NC
9	NC

### Specifications

**Headquarters (Taiwan)**  
5F., No.237, Sec. 1, Datong Rd.,  
Xizhi Dist., New Taipei City 221,  
Taiwan

Tel: +886-2-7729-9223  
Email: sales@antzer-tech.com

[www.antzer-tech.com](http://www.antzer-tech.com)

© 2023 Antzer Tech.  
All right reserved. Specifications  
are subject to change without  
prior notice.

July 12, 2023

Form-Factor	Half-sized mPCIe
Input I/F	USB 2.0(FS)
Output I/F	CANbus 2.0/B x 2/J1939/OBDII
Output Connector	DB-9 x 2
Power Consumption	MAX: 0.55W (3.3V, 167mA)
Dimension (WxLxH)	26.8 x 30 x 6.56 mm
Temperature	WT: -40°C ~ +85°C
Environment	Vibration: 5G @7~2000Hz, Shock: 50G @ 0.5ms
Notes	Windows: 10(32/64bit) Linux: Kernel 4.4 and above (Native CDC-ACM driver), Ubuntu 16.04/22.04 LTS, SocketCAN, 32/64bit

### Order information

#### FARO-HP700

USB to Dual CAN2.0B/J1939/OBDII Module

### Optional Accessory

#### T1700000009

20cm Dual CAN bus Cable